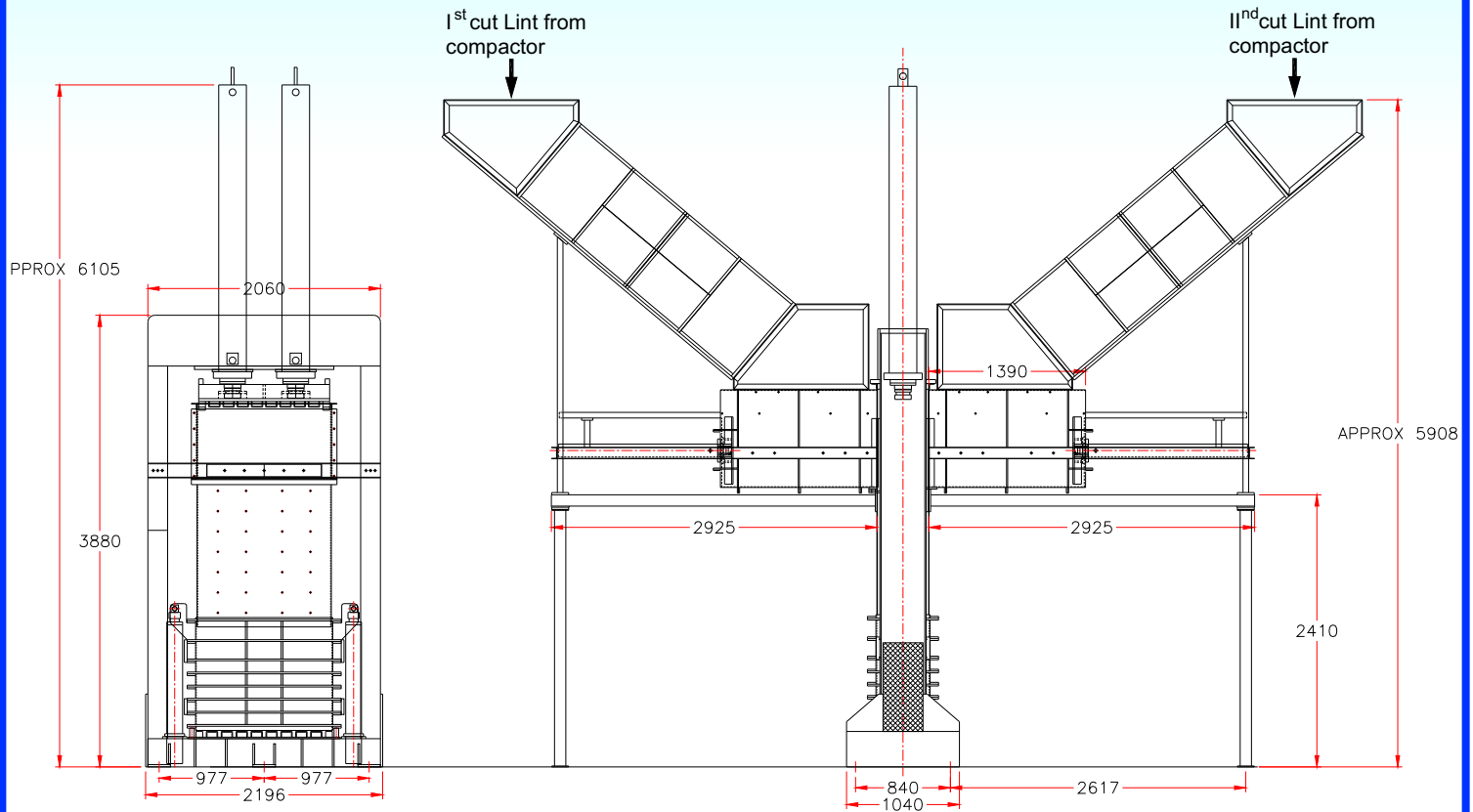


SPECIFICATIONS: BALE PRESS



New design Bale Press having two pusher for I st cut & II nd cut lint pressing. The lint from compactor duly compact feed to discharge hopper above pusher for putting in to main Bale Pressing chamber.

PRESSING CAPACITY	200 TON	250 TON
BALE SIZE	48" x 18" x 21"-22"	48" x 18" x 21"-22"
BALE WEIGHT	170 TO 175 KG	170 TO 175 KG
PRODUCTION	4 TO 5 BALES/HOUR	7 TO 8 BALES/HOUR
POWER	30 HP	40 HP
OIL TANK	1200 LTR	1500 LTR



CANTRELL WORLDWIDE (INDIA) PVT. LTD.