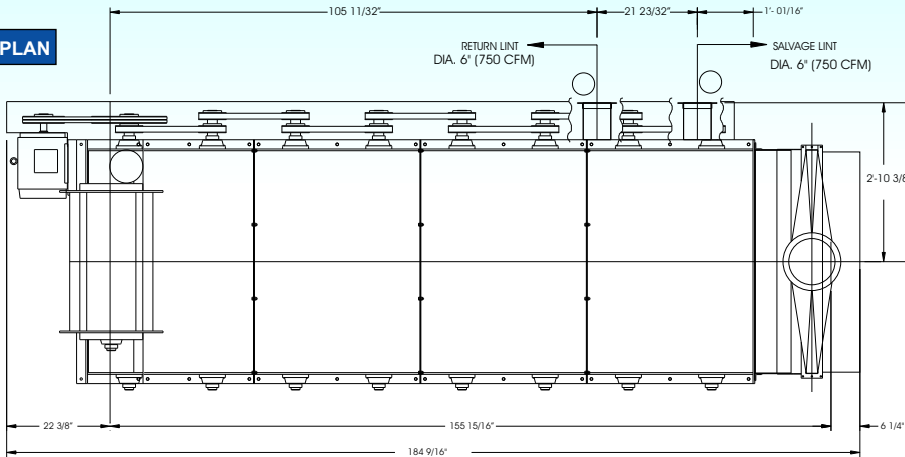


# SPECIFICATIONS: 7 STAGE LINT CLEANER

## PLAN

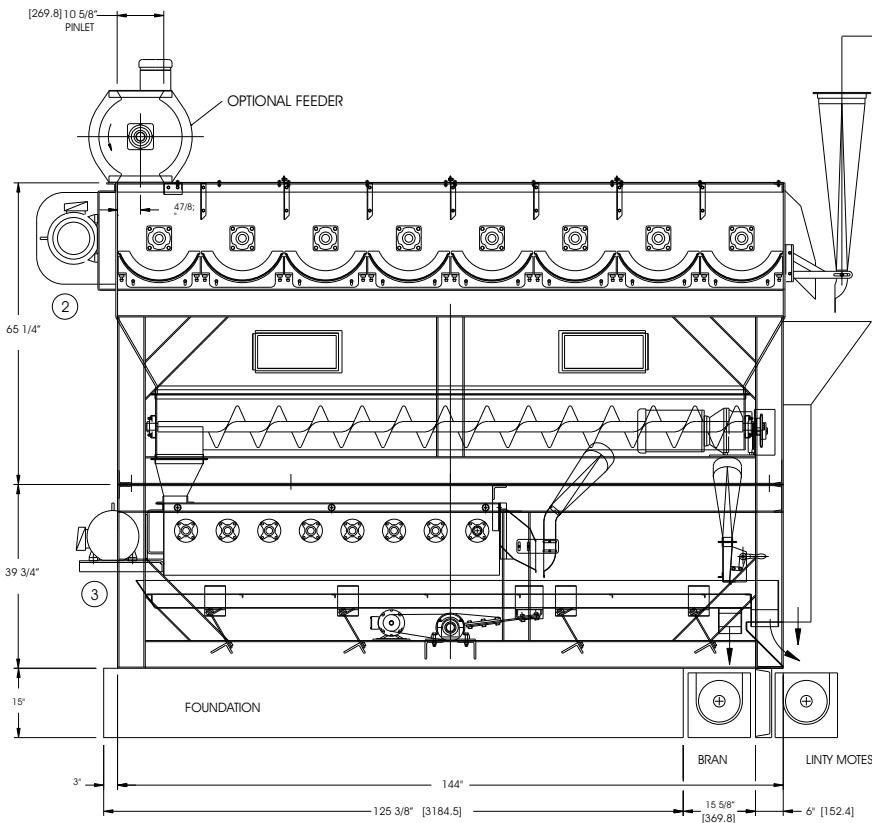


THE COTTOR / CANTRELL 7 STAGE LINT CLEANER WILL PROVIDE THE HIGHEST CAPACITY AND RECOVERY OF LINT ON THE MARKET TODAY, WHILE MAINTAINING THE HIGHEST LINT QUALITY AVAILABLE.

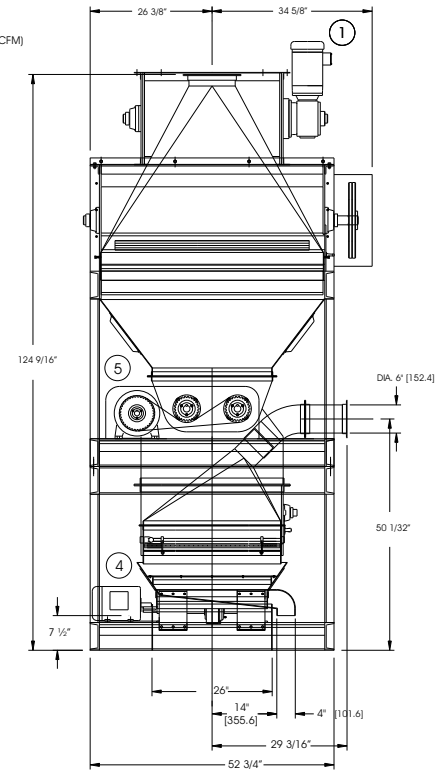
LAMINAR FLOW CLEANING GENTLY FLUFFS THE LINT WHILE REMOVING THE CONTAMINATES WITH LITTLE OR NO DAMAGE TO FIBER.

LARGE PEPPER AND BRAN SECTION ELIMINATES OIL, MEATS, AND HULL BRAN EARLY TO KEEP OIL ABSORPTION AND DISCOLORATION IN FINISHED LINT TO A MINIMUM.

## ELEVATION



## FRONT



1] FEEDER MOTOR - 1.5HP - 1450/1750RPM - 380/230-460V / 3PH / 50-60HZ

2] BEATER MOTOR - 7.5HP - 1000/1200RPM - 380/230-460V / 3PH / 50-60HZ

3] BEATER MOTOR - 2HP - 1450/1750RPM - 380/230-460V / 3PH / 50-60HZ

4] SHAKER MOTORS - 1HP - 1000/1200RPM - 380/230-460V / 3PH / 50-60HZ

5] TWIN CONVEYOR - 2 HP - 1450/1750 RPM - 380/230-460 V AC, 50-60 HZ

6] AIR HOOD - 10" DIA. / 1600 CFM / 2934 FPM VELOCITY

7] CAPACITY 30,000 LBS / 13,610 KG PER 24 HOUR DAY

8] 48" (1219mm) WIDE CELLULOSE SEC. 30" (762mm) WIDE RECLAIM SEC.

9] SHIPPING WEIGHT: 11,800 LBS / 5,352 KG

10] SHIPPING VOLUME: 603 FT / 17 M



**CANTRELL WORLDWIDE (INDIA) PVT. LTD.**

706, Acme Plaza, Opp. Sangam Talkies, Andheri-Kurla Road, Andheri (East), Mumbai-400 059. (India)

Tel. : +91-22-2826 4201/2/3/4 • Fax : +91-22-2834 6161

E-mail : cantrellworldwide@vsnl.net • www.cantrellworldwide.net