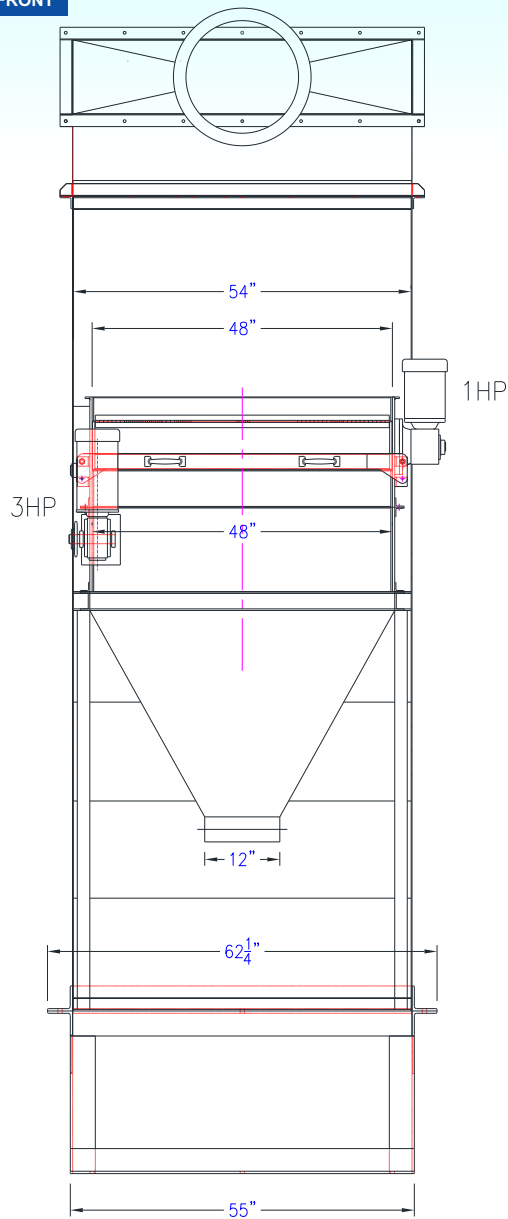


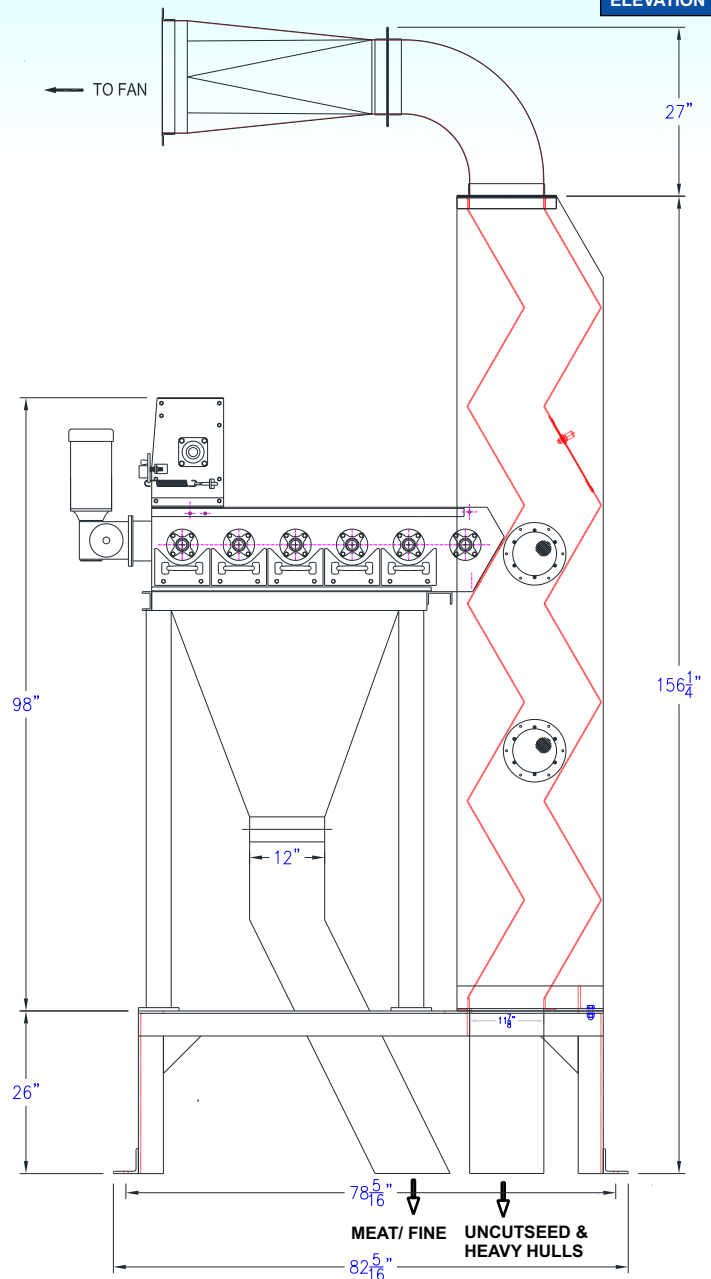
SPECIFICATIONS: DENSITY SEPARATOR

(WITH FINE MEAT BASKET SCALPER)

FRONT



ELEVATION



THE ABOVE SIZES FOR 10" x 54" NOZZEL & 48" FINE MEAT BASKET SCALPER

STD SIZES	FEEDER MOTOR	BASKET	FAN
8" X 36"	1 HP	2 HP	7.5 HP
10 1/2" X 54"	1 HP	3 HP	15 HP
10 1/2" X 72"	1 HP	5 HP	20 HP
10 1/2" X 80"	1 HP	5 HP	25 HP

Sizes Subject To Change Due To Specific Requirement or variation In Capacities & Seed Quality.



CANTRELL WORLDWIDE (INDIA) PVT. LTD.

706, Acme Plaza, Opp. Sangam Talkies, Andheri-Kurla Road, Andheri (East), Mumbai-400 059. (India)

Tel. : +91-22-2826 4201/2/3/4 • Fax : +91-22-2834 6161

E-mail : cantrellworldwide@vsnl.net • www.cantrellworldwide.net