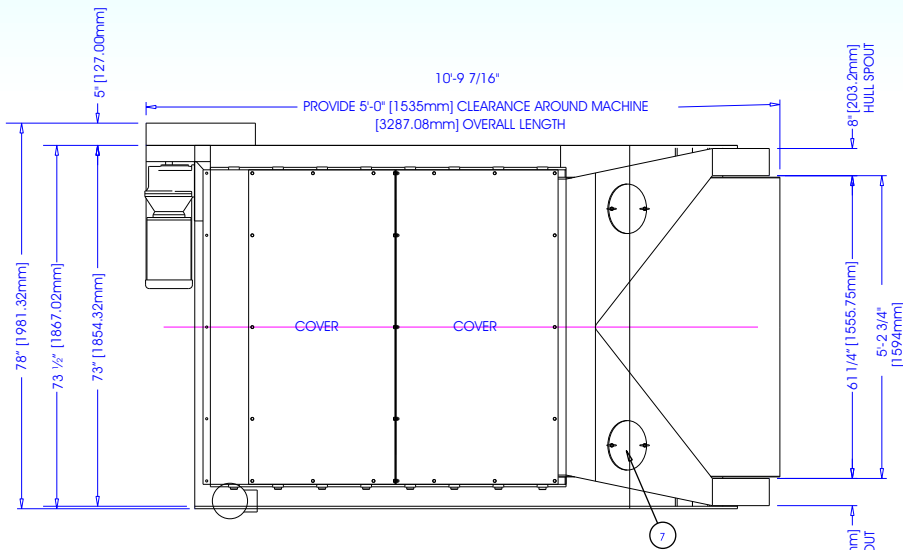


# SEPECIFICATION

## 60" EIGHT BASKET BEATER

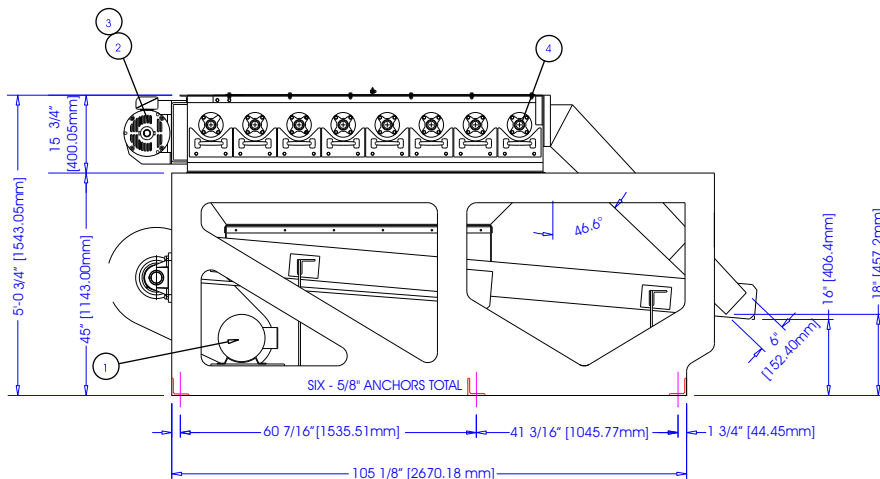
### PLAN



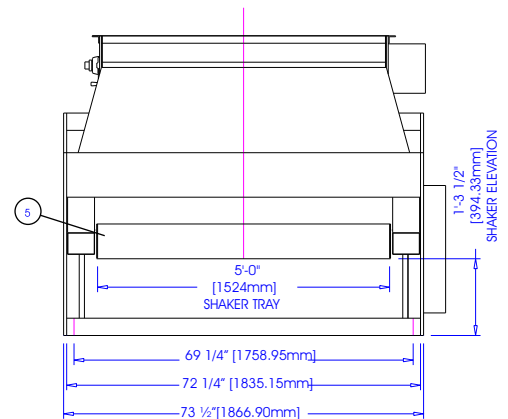
THE CANTRELL BEATER / SHAKER IS DESIGNED TO PRODUCE HULLS WITH A MINIMUM OIL CONTENT BY EFFICIENTLY BEATING THE HULLS TO REMOVE THE FINE, FLOURY AND SMALL PARTICLES OF MEAT SAND OILY LINT.

THE MACHINE CONSISTS OF AN EIGHT-CHAMBER BEATER SECTION MOUNTED ABOVE A SHAKER SEPARATOR TRAY.

### ELEVATION



### FRONT



60" EIGHT BASTET BEATER

1] SHAKER MOTOR - 2HP-1440/1200 RPM-380/230-440V / 3 PH / 50-60HZ

2] BEATER MOTOR - 5HP-1440/1200 RPM-380/230-440V / 3 PH / 50-60HZ

3] GEAR REDUCER, DOUBLE REDUCTION / HELICAL GEAR 9.3:1

4] 60" EIGHT STATIONARY SCREENS - REMOVABLE

5] SHAKER TRAY - 36 SQ FT OF SELF CLEANING SASH

6] ADJUSTABLE AIR HOOD - 10" DIA. / 1900 CFM / 3484 FPM

7] INSPECTION WINDOWS - 2 LARGE 10" DIA. VIEWING AREAS

8] HEAVY RUGGED \ PLATE CONSTRUCTION

9] SHIPPING WEIGHT: 4500 LBS / 2041 KG

10] SHIPPING VOLUME: 350 FT / 10 M



## CANTRELL WORLDWIDE (INDIA) PVT. LTD.

706, Acme Plaza, Opp. Sangam Talkies, Andheri-Kurla Road, Andheri (East), Mumbai-400 059. (India)

Tel. : +91-22-2826 4201/2/3/4 • Fax : +91-22-2834 6161

E-mail : cantrellworldwide@vsnl.net • www.cantrellworldwide.net